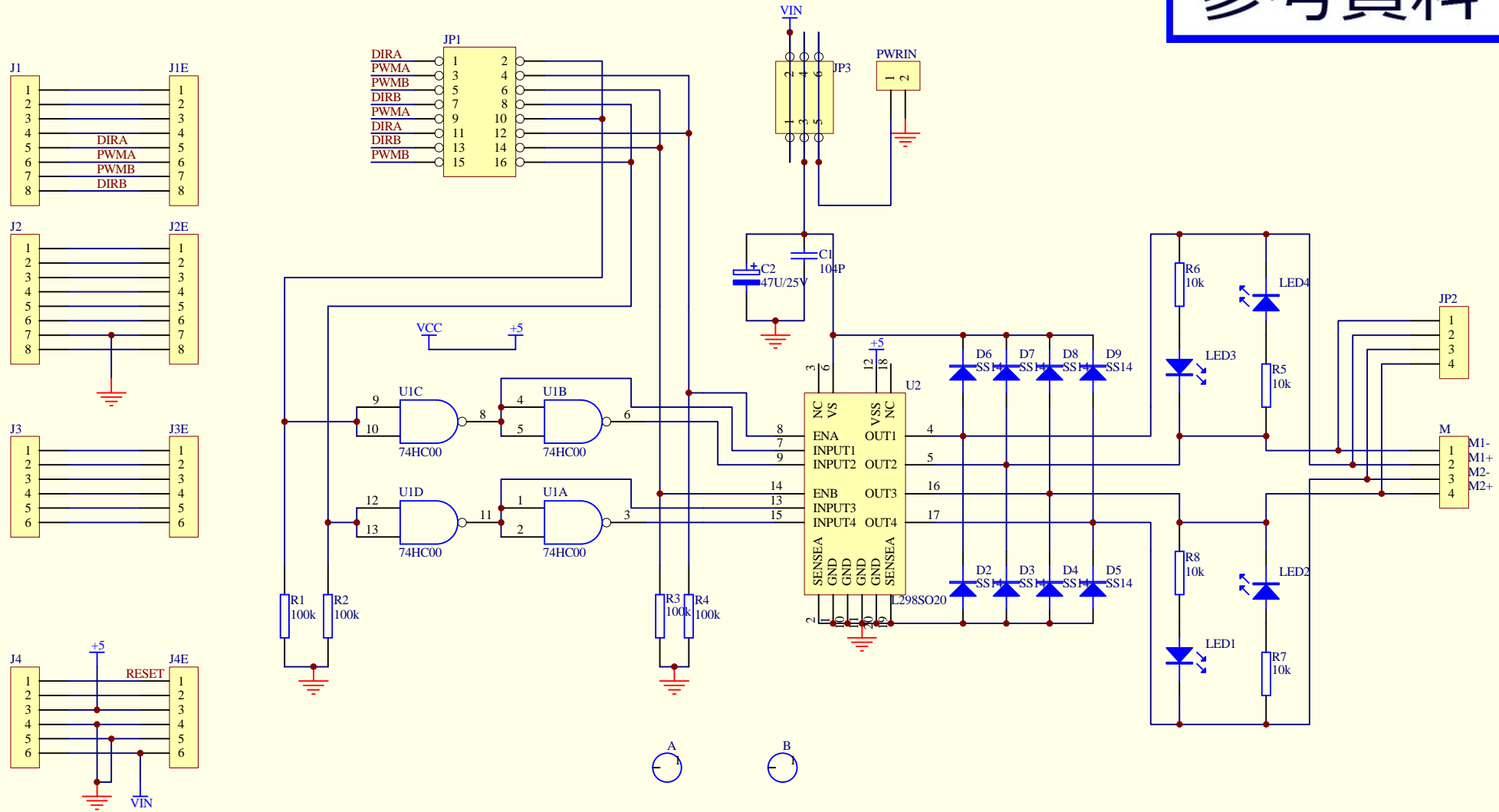


参考資料



| | | |
|-------------|---|----------|
| Title | | |
| L298 Shield | | |
| Size | Number | Revision |
| A4 | | 1.0 |
| Date: | 3-Dec-2010 | Sheet of |
| File: | D:\plan\产品记录\arduino\arduino_NGDM\016\016.Dwg | |